

A1 JORDAN[®]

Water Fittings

Ewan Engineering Manufacturing Group



a1-jordan.net

INTRODUCTION

A.1 Jordan local leader in the design and manufacture of compression fittings, is proud to release the most innovative and revolutionary product of its kind.

A.1 Jordan issue the new generation of compression fittings for PE pipe. The culmination of years of exhaustive research and development, utilization of cutting-edge manufacturing technology and starting testing, this new range of premium products represents A.1 Jordan most exciting generation of plastic compression fittings.

Incorporating cutting edge technology, A.1 Jordan water fittings are easy to use and provide high quality performance across the range. Importantly, the fittings have been manufactured from high performance, advanced thermoplastic materials so they are resistant to corrosion and have the strength and durability to provide a 50+ year service life.

With the compression fittings range, A.1 Jordan has created a common platform of fittings for all PE pipe applications in the Hashemite Kingdom of Jordan.

And the range is fully approved for potable water, meeting JIS and BS standards.

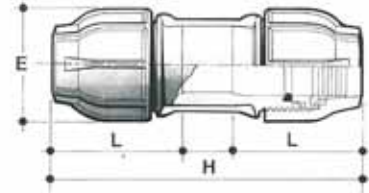
SAVE WATER. SAVE LIFE.



RANGE DIMENSIONS & WORKING PRESSURE

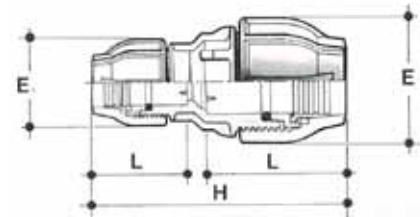
COUPLING (Double ended quick release coupling)

Size	Code	Dimensions mm			PN
		L	H	E	bar
20	C 1001	46	94	44	16
25	C 1002	52	105	52	16
32	C 1003	63	130	63	16
63	C 1004	100	210	108	16



REDUCING COUPLING (Double ended quick release coupling, one end reduced)

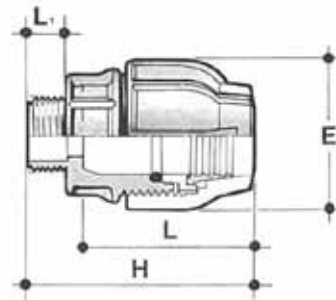
Size	Code	Dimensions mm					PN
		L	H	E	L1	E1	bar
25X20	RC 1001	52	120	52	46	44	16
32X20	RC 1002	63	147	63	46	44	16
32X25	RC 1003	63	147	63	52	52	16
63X25	RC 1004	102	270	108	52	52	16
63X32	RC 1005	102	270	108	63	63	16



RANGE DIMENSIONS & WORKING PRESSURE

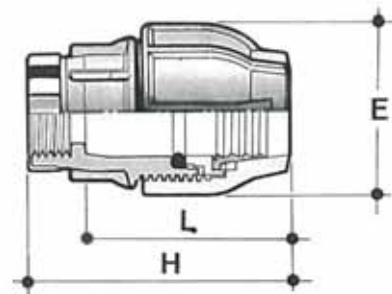
THREADED MALE ADAPTOR (Single ended quick release coupling, one end male BSP threaded)

Size	Code	Dimensions mm				PN
		L	H	E	L1	bar
20X1/2	MA 1001	46	73	44	16	16
20X3/4	MA 1002	46	74	44	17	16
20X1	MA 1003	46	77	44	20	16
25X1/2	MA 1004	52	80	52	16	16
25X3/4	MA 1005	52	81	52	17	16
25X1	MA 1006	52	84	52	20	16
32X1/2	MA 1007	70	87	63	16	16
32X3/4	MA 1008	70	92	63	17	16
32X1	MA 1009	70	95	63	20	16
63X1 1/2	MA 1010	100	141	108	28	16
63X2	MA 1011	100	145	108	32	16



FEMALE ADAPTOR (Single ended quick release coupling, one end female BSP threaded)

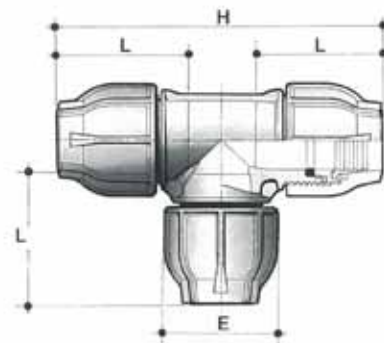
Size	Code	Dimensions mm				PN
		L	H	E	L1	bar
20X1/2	MA 1001	46	73	44	16	16
20X3/4	MA 1002	46	74	44	17	16
20X1	MA 1003	46	77	44	20	16
25X1/2	MA 1004	52	80	52	16	16
25X3/4	MA 1005	52	81	52	17	16
25X1	MA 1006	52	84	52	20	16
32X1/2	MA 1007	70	87	63	16	16
32X3/4	MA 1008	70	92	63	17	16
32X1	MA 1009	70	95	63	20	16
63X1 1/2	MA 1010	100	141	108	28	16
63X2	MA 1011	100	145	108	32	16



RANGE DIMENSIONS & WORKING PRESSURE

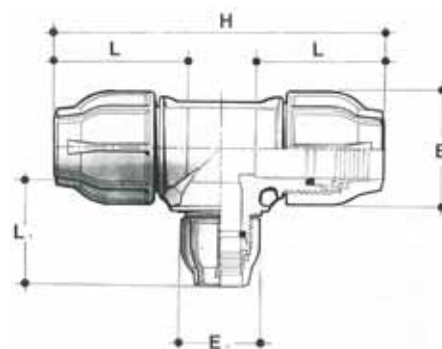
90° TEE (All connections quick release)

Size	Code	Dimensions mm			PN
		L	H	E	bar
20	T 1001	46	120	44	16
25	T 1002	52	145	52	16
32	T 1003	63	167	63	16
63	T 1004	102	290	108	16



90° TEE REDUCED (All connections quick release, one end reduced)

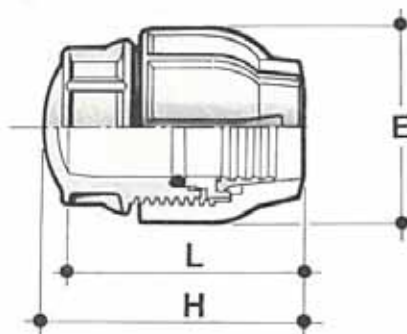
Size	Code	Dimensions mm					PN
		L	H	E	L1	E1	bar
25X20X25	TR 1001	52	145	52	46	44	16
32X20X32	TR 1002	63	167	63	46	44	16
32X25X32	TR 1003	63	167	63	52	52	16
63X25X63	TR 1004	102	290	108	52	52	16
63X32X63	TR 1005	102	290	108	63	63	16



RANGE DIMENSIONS & WORKING PRESSURE

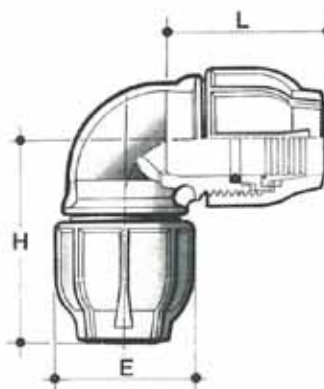
END CAP (Single ended quick release coupling)

Size	Code	Dimensions mm			PN
		L	H	E	bar
20	EC 1001	48	57	44	16
25	EC 1002	57	65	52	16
32	EC 1003	70	78	63	16
63	EC 1004	115	127	108	16

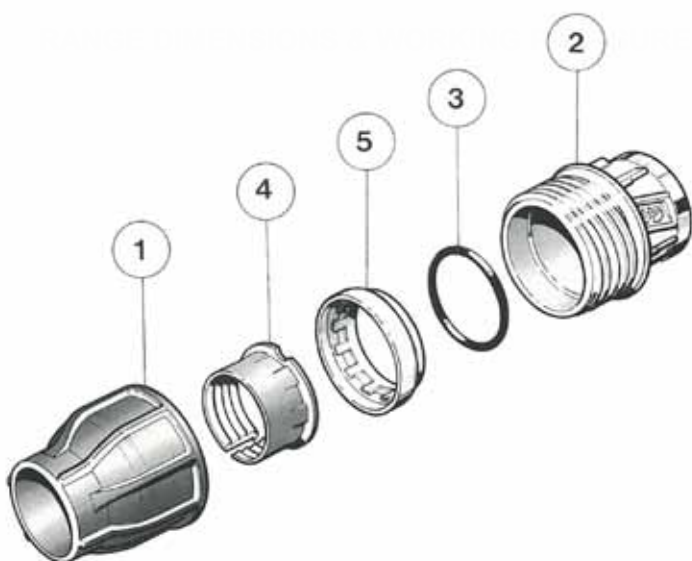


90° ELBOW (Double ended quick release coupling)

Size	Code	Dimensions mm			PN
		L	H	E	bar
20	E 1001	46	64	44	16
25	E 1002	52	74	52	16
32	E 1003	63	102	63	16
63	E 1004	100	163	108	16

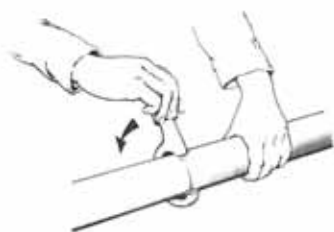


COMPONENTS & MATERIAL

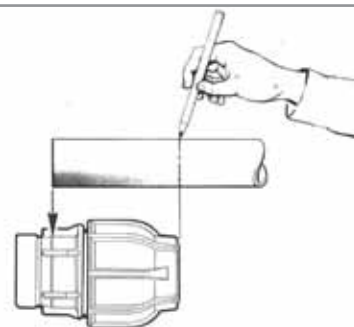


No.	Components	Material
1	Ring nut	PP-B
2	Body	PP-B
3	O-ring	NBR
4	Calmping ring	POM
5	Bush ring	PP-B

INSTALLATION INSTRUCTIONS



1 Cut the pipe squarely and deburr pipe ends.



2 Mark the insertion depth on the pipe end. The insertion length marked on the body of the fitting.



3 Slacken the ring nut, and without removing the ring nut, insert the pipe into the fitting to the correct depth.



4 Hand tighten the ring nut (>1X). For sizes from d 40 and up, tighten further with strap/chain wrench.




STANDARDS


The A.1 Jordan range of compression fittings is approved by Exova - UK for above and below ground use .

Exova (UK) Ltd
Saharj Polyway
6 Dunster Way
Cannemore Park
MK10 1YU, Saharj
United Kingdom

T: +44 (0) 1845 787 2256
F: +44 (0) 1845 787 2258
E: info@exova.com
W: www.exova.com



BS 6920 Testing of LUPOL GP2200 PP Strap & Ferrule



A Report To: Eng. Jassad Al Jouli
RSS-MOTC
P.O. Box 1438
Jubailah 11941
Amman
Jordan

Copied To: Faisal Samrah
A1 Jordan Water Fittings
AL Hussein circle- Building No. 190
Amman
Jordan

Document Reference: Q27104204/10

Date: 11/01/10


Copy:

Issue No.: 2

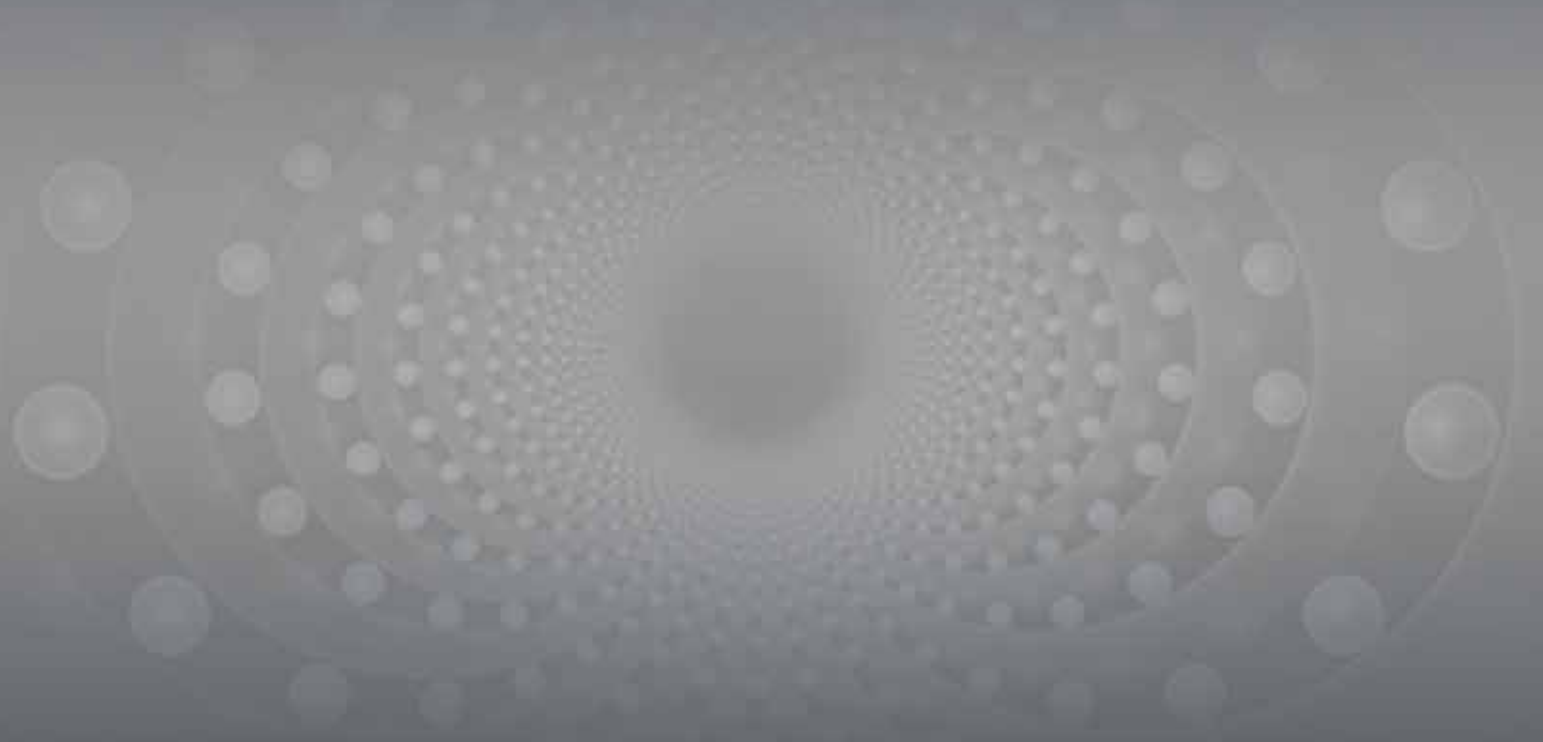
Page 1

**Testing
Advising
Assuring**

Registered Office: Exova (UK) Ltd, Luffield Industrial Estate, Hemel Hempstead, Herts SG9 6PL, United Kingdom. Reg No. 02711645
 The report is issued in accordance with our terms and conditions, a copy of which is available on request.







Ewan Engineering Manufacturing Group

Amman - Jordan - Tel : +962 6 4649070 Fax : +962 6 4646618
E-mail : info@a1-jordan.net - Website : www.a1-jordan.net